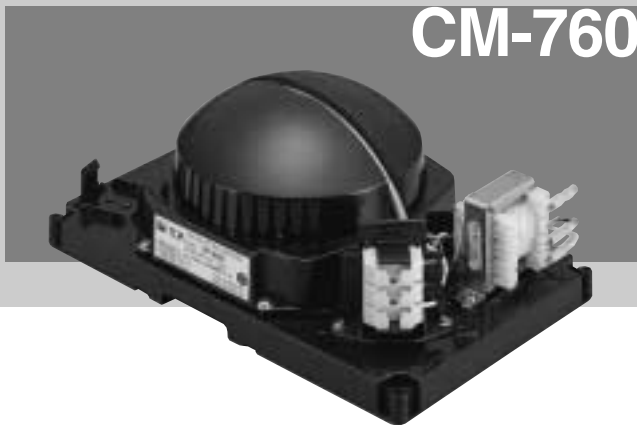


# SEPARATE TYPE CEILING SPEAKERS

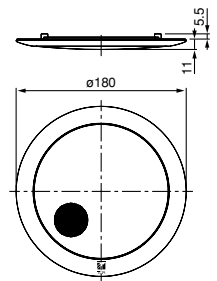


## FEATURES

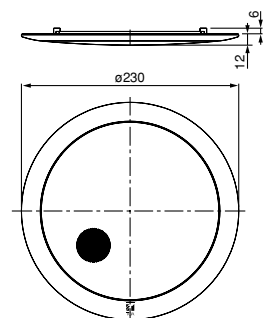
- Dynamic Cone Speaker Rated For 6W Input**  
 Two models are available: the CM-760 with a 12cm diameter speaker, and the CM-960 with a 16cm speaker. Both use dynamic cone speakers rated at 6W input (also compatible with 3W applications).
- Connector For Bridge And Branch Wiring**  
 Plug-in connectors permit quick wiring, facilitating speaker installations that require bridge and branch wiring.
- Coil Spring Catch System**  
 Permits the speaker to be quickly and easily mounted by simply pressing the optional CP-series front grille into the CM-760 or CM-960.
- Hard Speaker Cover**  
 This hard speaker cover protects the speaker from dust and impacts.
- Incombustibility Grade UL94V-0**  
 The speaker's high-impact styrene resin material corresponds to incombustibility grade UL94V-0, and maintains the speaker's self-extinguishing capabilities to ensure excellent flame-retardant characteristics.
- Optional Round Speaker Grille**  
 The CP-77 and the CP-97 speaker grilles are constructed of aluminum grilles attached to a metal frame, while the CP-73 and the CP-93 feature ABS resin frames. The CP-73 and CP-77 grilles are designed for the CM-760, and the CP-93 and CP-97 grilles are for the CM-960.



- Easily attaches to the CM-760 with a coil spring.
- ABS resin frame and aluminum grille (CP-73).
- Metal frame and aluminum grille (CP-77).
- Off-white.



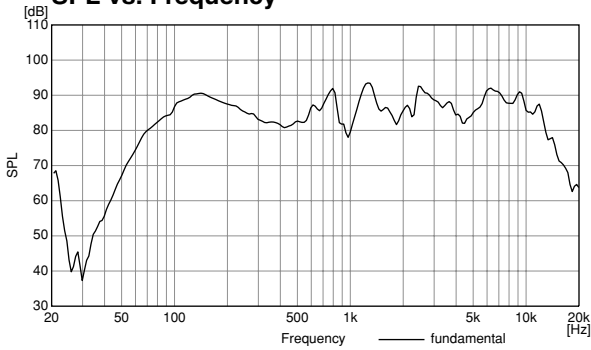
- Easily attaches to the CM-960 with a coil spring.
- ABS resin frame and aluminum grille (CP-93).
- Metal frame and aluminum grille (CP-97).
- Off-white.



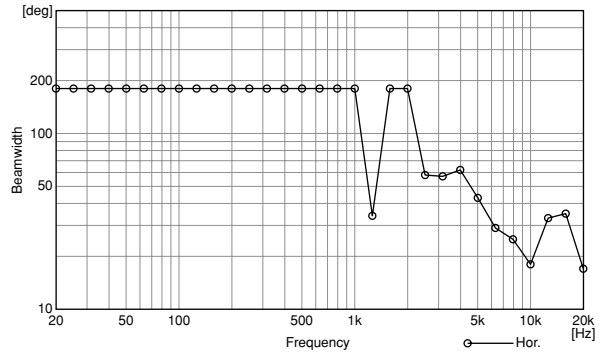
# CM-760

## CHARACTERISTIC DIAGRAMS

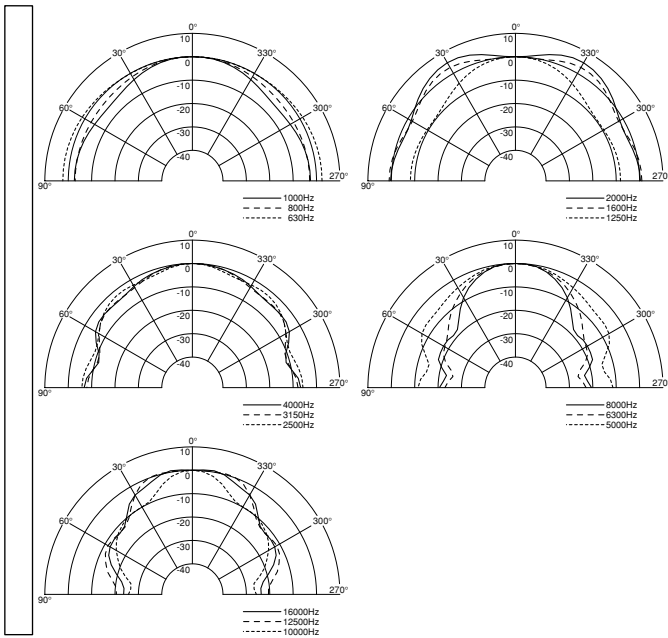
**SPL vs. Frequency**



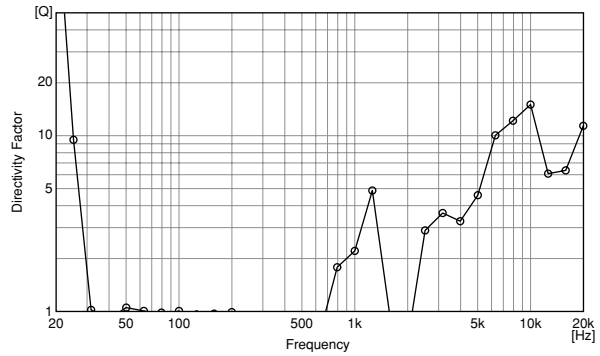
**Beamwidth vs. Frequency**



**Polar Response**



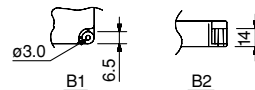
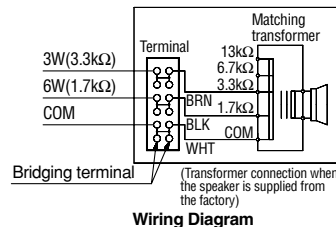
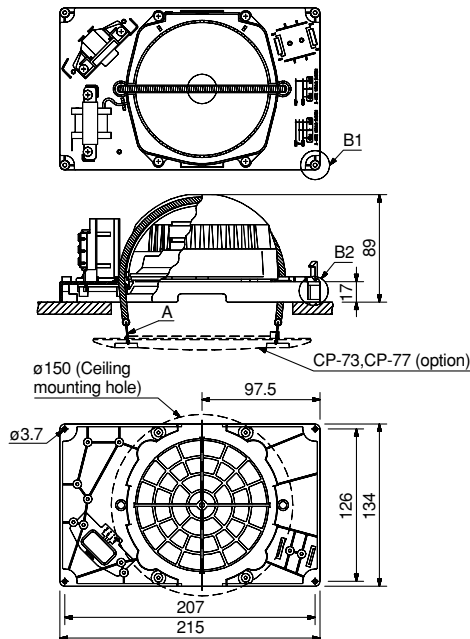
**Directivity Factor vs. Frequency**



## APPEARANCE AND DIMENSIONAL DIAGRAM

CM-760

Magnified diagram of part A



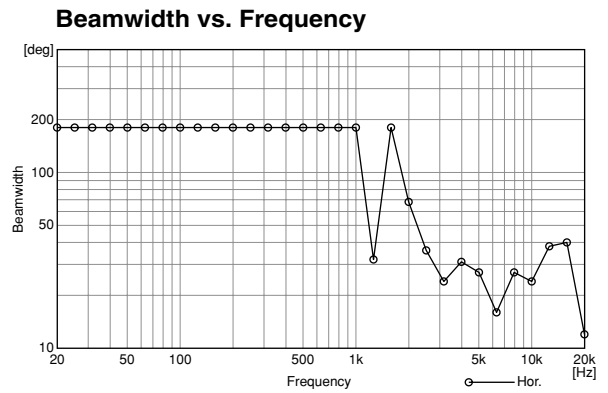
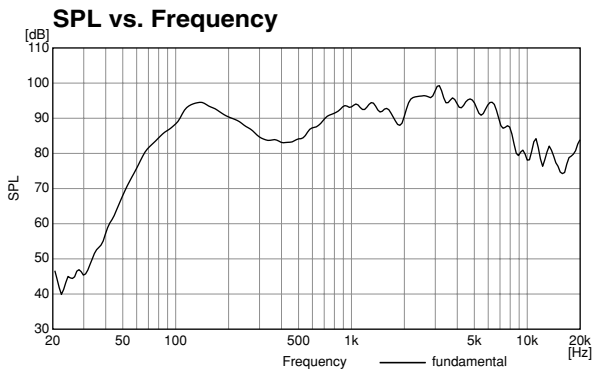
Magnified figure

Unit: mm

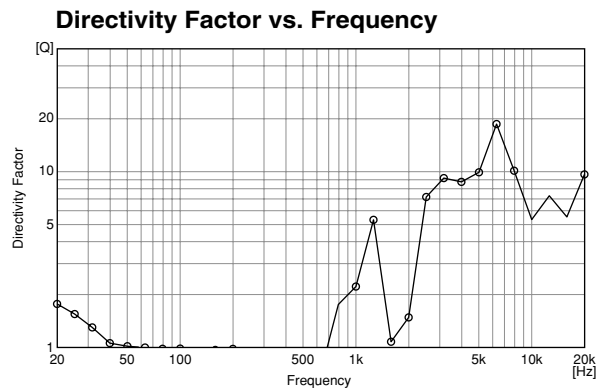
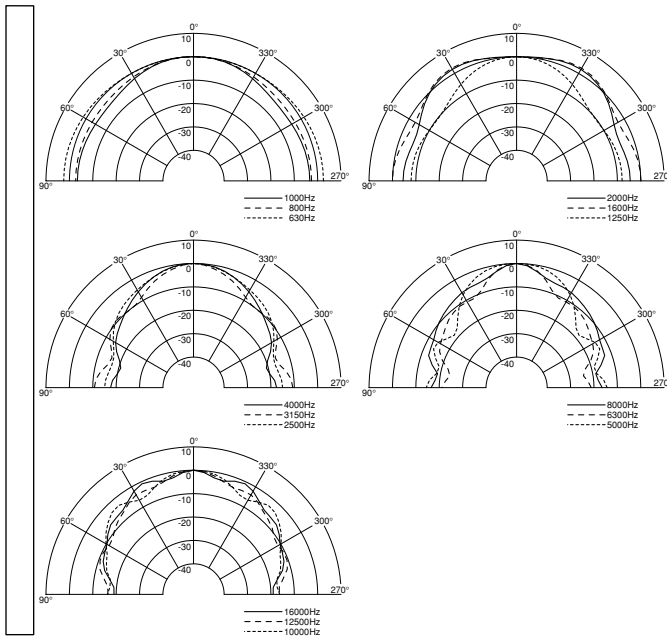
Note: Use transformer terminals when changing input impedance.

# CM-960

## CHARACTERISTIC DIAGRAMS



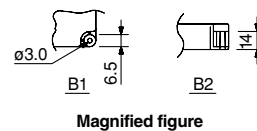
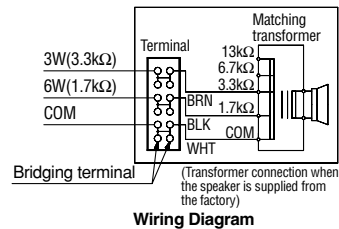
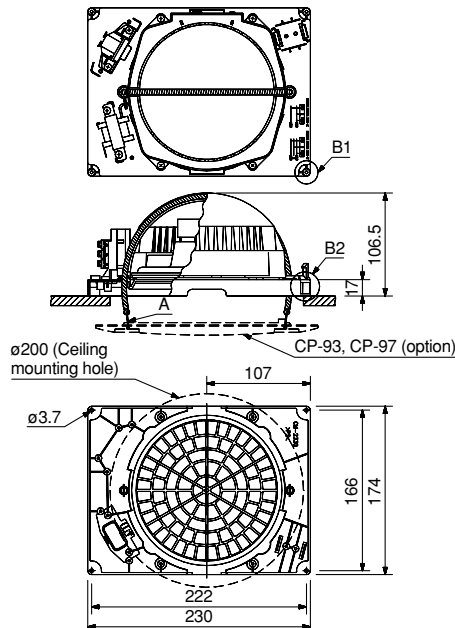
### Polar Response



## APPEARANCE AND DIMENSIONAL DIAGRAM

CM-960

Magnified diagram of part A



Unit: mm

Note: Use transformer terminals when changing input impedance.

## SPECIFICATIONS

|                            | CM-760   | CM-960  |
|----------------------------|--|---|
| Rated Input                | 6W   |   |
| Rated Impedance            | 1.7kΩ (6W), 3.3kΩ (3W),<br>[6.7kΩ (1.5W), 13kΩ (0.8W): Internal wiring must be changed]  |   |
| Sensitivity                | 90dB (1W/1m)   | 92dB (1W/1m)  |
| Frequency Response         | 100 – 16,000Hz   | 100 – 12,000Hz                                      |
| Speaker Component          | 12cm dynamic cone-type speaker   | 16cm dynamic cone-type speaker                      |
| Dimensions for Fixing Hole | ø150 (mounting hole) x<br>50 (ceiling thickness) mm  | ø200 (mounting hole) x<br>50 (ceiling thickness) mm |
| Speaker Mounting Method    | Spring catch   |   |
| Applicable Cables          | 600V Vinyl-insulated cable (IV wire or HIV wire)<br>Solid copper wire: ø0.8 – ø1.2mm<br>7-core twisted copper wire: 0.75 – 1.25mm <sup>2</sup> |   |
| Connection                 | Push-in connector (Bridging and branch connections possible.)  |   |
| Finish                     | Grille: Fire-resistant, high-impact styrene resin<br>(resin material grade: UL94 V-0 or its equivalent), black                                 |   |
| Dimensions                 | 215 (W) x 134 (H) x 89 (D) mm  | 230 (W) x 174 (H) x 106.5 (D) mm                    |
| Weight                     | 630g   | 850g  |
| Optional Applicable Panels | CP-73 and CP-77  | CP-93 and CP-97                                     |

Note: Do not the speaker with heat insulating material sound absorbing material mounted.  
Ensure that the speaker is kept away from the heat insulating material.

|                         | CP-73                              | CP-77  | CP-93  | CP-97  |  |
|-------------------------|------------------------------------|--|--|--|--|
| Speaker Mounting Method | Spring catch                       |  |  |  |  |
| Finish                  | Frame:<br>Net:                     | ABS resin, off-white<br>Aluminum, off white, paint | Metal, off-white<br>Aluminum, off white, paint | ABS resin, off-white<br>Aluminum, off white, paint | Metal, off-white<br>Aluminum, off white, paint |
| Dimensions              | ø180 x 11 (D) (exposed section) mm |  | ø230 x 12 (D) (exposed section) mm             |  |  |
| Weight                  | 70g                                |  | 100g   |  |  |
| Applicable Speaker      | CM-760                             |  | CM-960   |  |  |