

▶ **65UH5B-B**

65" class (64.5" diagonal)

▶ **55UH5B-B**

55" class (54.6" diagonal)

▶ **49UH5B-B**

49" class (48.5" diagonal)

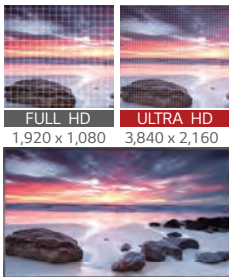


The UH5B-B Series with webOS signage, allows for customized apps that are easy to create using LG's Software Development Kit. The built-in Wi-Fi and SoC reduces total cost of ownership, simplifies installation, and managing content is easy and convenient.

KEY FEATURES

ULTRA HD RESOLUTION (3840X2160)

Excellent energy-efficiency and cost-savings with the M+ panel*, which decreases power consumption by 31% compared to an RGB panel.



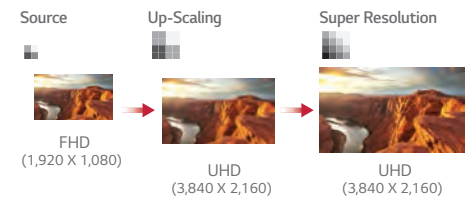
High Efficiency Video Coding

Supports HEVC-based content which has the double data compression ratio than the H.264 so network traffic can be reduced by half.



Up-Scaling and Super Resolution

Up-scaling and Super Resolution technology enhance the quality of FHD content to near-UHD quality.



LOW POWER CONSUMPTION BY M+

Excellent energy-efficiency and cost-savings with the M+ panel*, which decreases power consumption by 31% compared to an RGB panel.



SoftAp

The UH5B with SoftAp software can operate as a wireless access point for mobile devices.



MIRRORING

Content sharing is convenient through a Wi-Fi network.





QUAD CORE SOC (SYSTEM-ON-CHIP)

The High Performance SoC can execute several tasks at the same time and provides smooth content playback



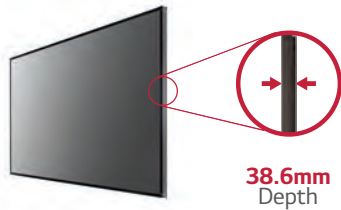
EASY MAINTENANCE WITH REAL TIME REMOTE MONITORING

When an alarm occurs, an e-mail notification is sent using SuperSign C or SI SW through the SNMP Protocol. In case of malfunctions or errors, real-time remote care is available



SLIM DESIGN | NARROW BEZEL

LG's monitors featuring a Direct-LED Backlight, have a stylishly slim design that fit perfectly into narrow spaces while ensuring high energy efficiency. The slim bezels are a perfect fit in confined areas and are easy to install.



webOS LG's webOS enabled displays feature an all-in-one hardware and software platform that allows software developers to install and run their software in a more simplified solution. This approach offers architecture that enables easy-to-build web-based apps across multiple platforms. This approach offers software architecture, including iOS®, Android® and Windows®. Using LG's SDK, integrators can construct their own ideal customized signage solution for their clients.



Run messages on up to 50 display screens in the form of a billboard without any additional hardware. Advertisements, information and broadcast content can be arranged on the same screen to attract attention and deliver specific messaging to your customer base.

LG SuperSign Lite Usage Example
Different layout and designs available.

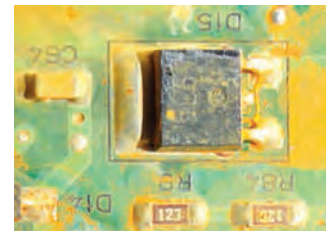


CONFORMAL COATING

Conformal coating helps protect against water, dust and iron powder deposits which accumulate in harsh environments, saving on expensive installation and added enclosure costs.



With Conformal Coating



Without Conformal Coating

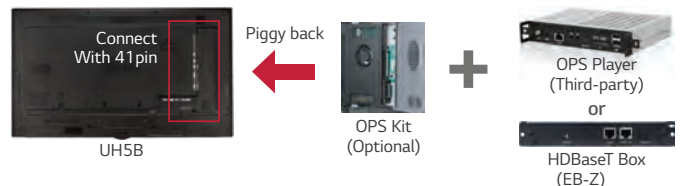
BEACON CONVENIENT SUPPORT

With BEACON and Bluetooth Low Energy (BLE) supported by UH5B-B, retail stores can provide coupons and information in real-time.

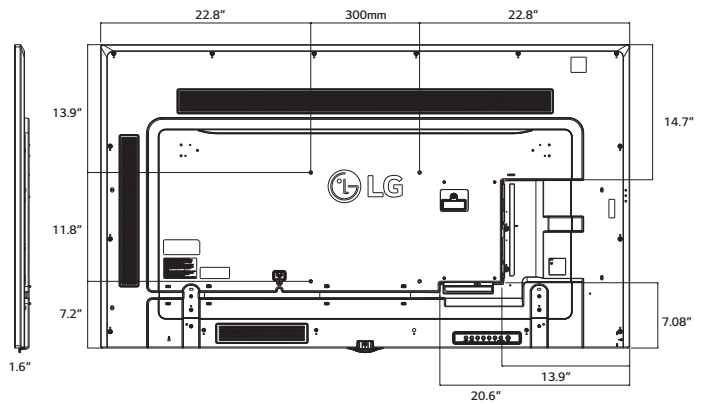
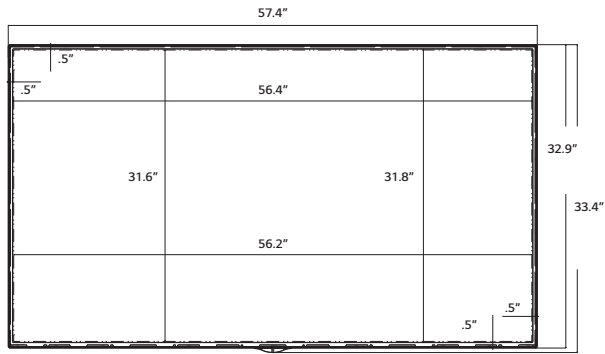


OPS (OPEN PLUGGABLE SPECIFICATION) KIT / HDBASET BOX

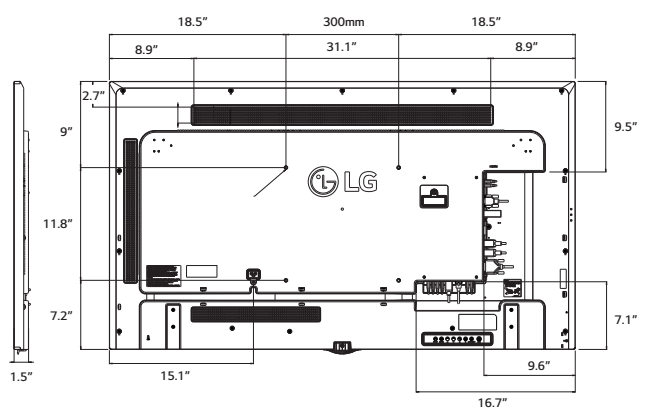
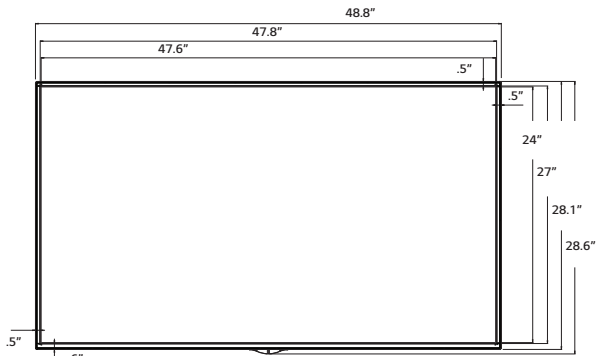
The UH5B-B provides an OPS Kit to connect a third-party OPS player or HDBaseT box. Users have the flexibility to choose any media player as long as it complies with OPS.



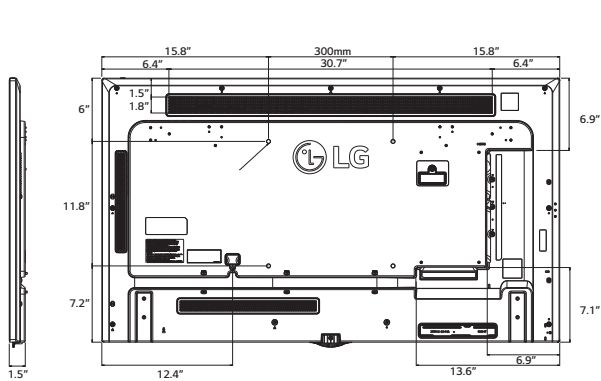
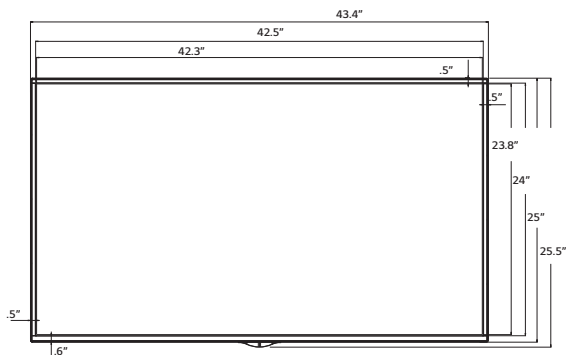
65UH5B-B



55UH5B-B

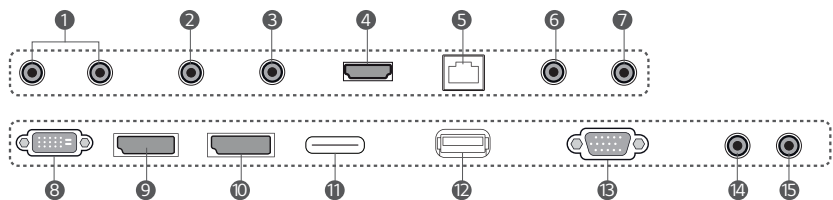


49UH5B-B



- ① SPEAKER OUT
- ② IR & LIGHT SENSOR
- ③ PIXEL SENSOR
- ④ HDMI
- ⑤ LAN
- ⑥ AUDIO IN
- ⑦ AUDIO OUT
- ⑧ DVI-D IN
- ⑨ DP IN
- ⑩ DP OUT
- ⑪ SD Card
- ⑫ USB 3.0
- ⑬ RGB IN
- ⑭ RS-232C IN
- ⑮ RS-232C OUT

Rear Jack Pack



UH5B-B

Ultra HD Smart Platform

▶ 65UH5B-B

65" class
(64.5" diagonal)

▶ 55UH5B-B

55" class
(54.6" diagonal)

▶ 49UH5B-B

49" class
(48.5" diagonal)

PANEL	Model	65UH5B-B	55UH5B-B	49UH5B-B
Screen Size		65" class (64.5" diagonal)	55" class (54.6" diagonal)	49" class (48.5" diagonal)
Panel Technology		IPS		
Aspect Ratio		16 : 9		
Native Resolution		3840 x 2160 (UHD)		
Pixels (H x V x 3)		24,883,200		
Brightness		500cd/m ²		
Contrast Ratio		1,000:1		
Dynamic CR		4,000,000:1		
Color Gamut		68%		
Viewing Angle (H x V)		178° x 178°		
Color Depth		1.06 Billion		
Response Time		8ms (G to G)		
Surface Treatment		Low Haze 1%		
Life Time (Typical)		50,000 Hrs		
Operation Hours		24 Hr		
Orientation		Portrait & Landscape		
HDMI		Yes (1), HDMI /HDCP2.2		
DP		Yes (1), DP /HDCP1.3		
DVI-D		Yes (1), HDCP2.2		
RGB		Yes (1)		
Audio In		Yes (1), RGB/DVI		
RS232C IN		Yes (1)		
RJ45		Yes (1)		
IR Receiver		Yes (1)		
Pixel Sensor		Yes (1)		
USB (USB3.0)		Yes (1)		
SD Card		Yes (SDHC/Full Size)		
HDTV Formats		HDMI : 720p, 1080i, 1080p, 2160p		
DP Out		Yes (1), SST/DP1.2a		
Audio Out		Yes (1)		
External Speaker Out		Yes (L/R), 6 ohm		
RS232C OUT		Yes (1)		
Temperature Sensor		Yes		
Auto Brightness Sensor		Yes		
Cooling FAN		No		
Tile Mode		Yes (Up to 15x15)		
Natural Mode @Tile Mode		Yes		
Source Selection		RGB, HDMI, DVI, DP, OPS, USB, SD Card		
Brightness/Contrast/Backlight		Yes		
Position/Size		Yes		
Auto Config/Phase		Yes		
Language (OSD)		English, French, German, Spanish, Italian, Korean, Chinese (Simplified), Chinese (Original), Portuguese (Brazil), Swedish, Finnish, Norwegian, Danish, Russian, Japanese, Portuguese (Europe), Dutch, Czech, Greek		
ISM Method		Normal, White Wash, Color Wash, User image, User Video, Orbiter Inversion, Washing Bar * Scheduling is supported additionally		
Advanced Time		Dynamic Contrast, Dynamic Color, Color Gamut, Skin Color, Sky Color, Grass color, Gamma Clock, On/Off Timer, Auto Off, Automatic Standby		
Input Label		Yes (PC/DTV)		
Power On Status		Standby, PWR, LST		
Key Operation		IR operation, Local key operation		
DPM Select		Yes		
DPM Wake Up		Yes (Analog: Sync only, Digital: Clock / Clock+Data selectable)		
Energy Saving		Yes (Auto, Minimum, Medium, Maximum, Screen off)		
Smart Energy Saving		Yes		
File Play With USB		Yes		
Internal Memory		8GB (System 4GB + Available 4GB)		
Wi-Fi		802.11n combo built-in		
USB Cloning		Logo image download, Sent to USB, Receive from USB		
Contents Scheduling		USB, Internal memory, SD Card		
Calibration Mode		Yes		
DST		Yes		
Sync Mode		Time sync, Content sync		
PM Mode		Yes		
Framework Update (LAN)		Yes		
Local Time Auto Setting		Yes		
SPECIAL FEATURES	Model	65UH5B-B	55UH5B-B	49UH5B-B
Overlay Touch			Yes (*15.May)	
Still Image			Yes	
HDMI-CEC			Yes	
Wake On LAN			Yes	
Digital Audio Input			Yes	
Power On Delay			0 - 250	
Pivot Mode			Yes	
Content Rotation			0,90, 270	
OSD Portrait Mode			0,90, 270	
Intelligent Auto			Yes	
Password Change			Yes	
SetID Setup			Manual, Auto	
Configuration Setup			USB auto Playback	
Lock Mode			USB	
Fail Over			USB, SD card, RGB, DP, OPS, DVI, HDMI, Internal Memory	
SuperSign Server Setup			Signage name, Server IP setting, Server IP Status	
Media Share			Mirroring, SoftAP	
Beacon			On/Off	
Embedded Template			Yes	
Check Screen			Yes	
OPS PC Power Control			Sync On, Sync On/Off, Disable	
ENVIRONMENT CONDITIONS	Operation Temperature		32 °F to 104 °F	
Operation Humidity			10 % to 80 %	
POWER	Power Supply		100-240V~, 50/60Hz	
Power Type			Built-In Power	
Typical		130W	116W	100W
Smart Energy Saving		90W	80W	70W
DPM			0.5W	
Power Off			0.5W	
AUDIO	Balance		Yes	
Audio Power			20W (10W x 2) for External Speaker	
Speaker On/Off			Yes	
Clear Voice II			Yes	
Virtual Surround Plus			Yes	
Equalizer			Yes	
Sound Mode			Standard, News, Music, Cinema, Sports, Game	
CERTIFICATION	Safety / EMC / ErP / ENERGY STAR ®		UL / cUL / CB / TUV / KC FCC Class "A" / CE / KCC No / No (ENERGY STAR® Qualified)	
MEDIA PLAYER COMPATIBILITY	OPS Type Compatible		Yes	
External Media Player			Yes (MP500/MP700)	
SOFTWARE COMPATIBILITY	SuperSign-w lite		Yes	
SuperSign-c			Yes	
CABINET	Bezel Color		Black	
Bezel Width		12.1mm (T), 12.6mm (R/L), 15.7mm (B)	11.9mm (T), 12.4mm (R/L), 15.5mm (B)	
WxHxD		57.4" x 33.4" x 1.6"	48.8" x 28.6" x 1.5"	43.4" x 25.5" x 1.5"
Weight		57.3lbs	36.6lbs	29.3lbs
w/Optional Stand WxHxD		57.4" x 36.0" x 12.4"	48.8" x 31.1" x 11.7"	43.4" x 28.1" x 11.7"
w/Optional Stand Weight		60.4lbs	39.9lbs	32.6lbs
w/Optional Stand & Speakers (WxHxD)		57.4" x 36.1" x 12.4"	48.8" x 31.1" x 11.7"	43.4" x 28.1" x 11.7"
w/Optional Stand & Speakers Weight		61.9lbs	41.4lbs	34.2lbs
Carton (WxHxD)		61.5" x 38.2" x 7.5"	52.4" x 31.8" x 6.7"	47.1" x 29.9" x 6.5"
Carton Weight		TBD	45.2lbs	36.6lbs
VESA™ Compatible			300 mm x 300 mm	
ACCESSORIES	Basic	Remote Controller (include battery 2ea), Power Cord, QSG, RGB Cable, Regulation Book, Phone to RS232C Gender, Memory cover		
Optional		Speaker (SP-5200), Stand (ST-651T), Pixel sensor (KT-SP0), Media player, Wall bracket (LSW350B), VESA Adapter (AM-B330S), OPS Kit (KT-OPSA), HD Base T (EB-B100)		
OTHER	UPC	7 19192 19847 0	7 19192 19846 3	7 19192 19845 6
WARRANTY		3-Year Limited Warranty Parts/Labor/Backlight Extended warranty options are also available		



LG Electronics U.S.A., Inc.
HE B2B Division
2000 Millbrook Drive
Lincolnshire, IL 60069

Customer Service: 888.865.3026
www.LGsolutions.com/support

Contact your LG Regional Sales Representative:
Channel: 800.897.8871
Hospitality: 800.228.1236
E-mail: info@LGsolutions.com

SPEC_UH5B_061652_PR



All screen images are simulated. Dimensions and weights are approximate. Design, specifications, and features subject to change without notice.

© Copyright 2016 LG Electronics USA, Inc. All Rights Reserved. "LG Life's Good" is a registered trademark of LG Corp.

ENERGY STAR is a registered trademark of the U.S. Environmental Protection Agency. In Plane Switching is a trademark of LG Philips LCD Ltd. VESA is a trademark of Video Electronics Standards Association. HDMI, the HDMI logo and High-Definition Multimedia Interface are trademarks or registered trademarks of HDMI Licensing LLC.

All other product and brand names are trademarks or registered trademarks of their respective companies.

Printed in the USA. June 2016